



# StarInverter PVP2800

PV Powered introduces an addition to the StarInverter Family of Solutions, the StarInverter PVP2800. The PVP2800 is designed to be the most reliable, efficient, and cost effective 2800 watt utility interactive inverter available today.

A vacuum fluorescent display comes standard with every PVP2800. View operational data pertaining to the inverter such as current array input, power output and greenhouse gases saved. All inverters within the StarInverter product line ship with the revolutionary PVP Command Center software. This software provides real-time data, tracking, and monitoring capabilities via home PC or the web.

Look to the StarInverter family to provide reliable, efficient, easy to use solutions for all your inverter needs.



## CHARACTERISTICS ...

Maximum System Voltage (DC)	450V
Operating DC Voltage Range	208: 180V - 390V 240: 200V - 390V
DC Input Range	208: 180V - 450V 240: 200V - 450V
Maximum DC Operating Current	15A
Maximum Array Short Circuit Current (DC)	15A
Operating AC Voltage Range	208: 183V - 229V 240: 211V - 264V
Operating Frequency Range	59.3Hz - 60.5Hz
Nominal AC Output Voltage	208V or 240V
Normal Output Frequency	60Hz
Maximum Continuous Output AC Current	14A
Maximum Output Fault Current (AC)	15A
Output Overcurrent Protection	15A
Continuous Power Output	2800W

## CONSTRUCTION AND ENVIRONMENTAL CHARACTERISTICS ...

Enclosure	Aluminum - NEMA 3R to UL 50 Standards
Dimensions (W x D x H)	15" x 7.5" x 21.75"
Weight	74 lbs.
Cooling	Natural Convection
Relative Humidity	0% to 100% Condensing
Operating Ambient Temperature Range	-25°C to +40°C

## WARRANTY ...

10 Years

# 2800 WATT

# PV Powered

Delivering Tomorrow's Solar Technology ... Today



1-541-312-3832 • WWW.PVPOWERED.COM  
160 SW Scalehouse Loop, #208, Bend OR 97702



# StarInverter PVP2800

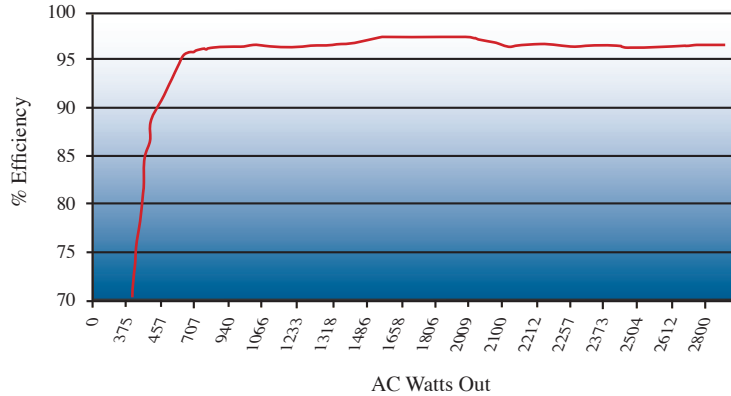
The StarInverter PVP2800 delivers the **power** you need, the **reliability** you expect, and the **ease of use** you desire.

## FEATURES ...

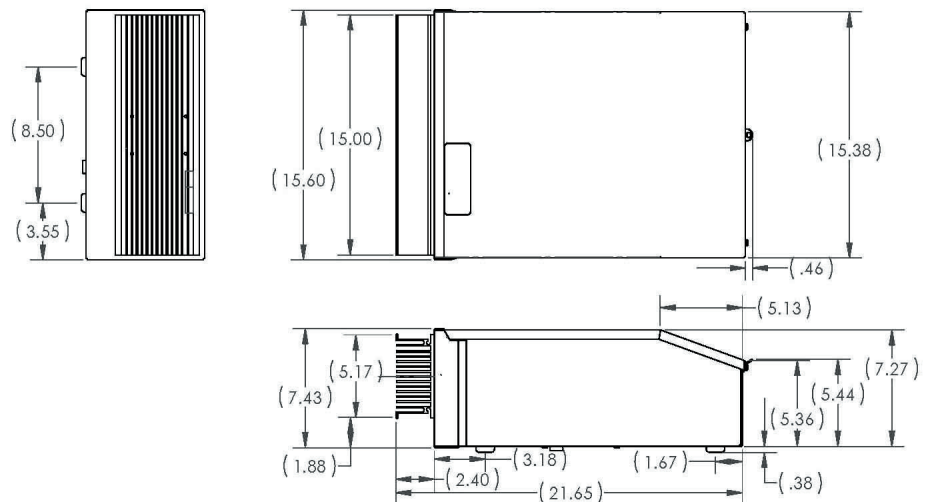
- No thermal foldback  
- requires no fan
- High efficiency  
- 97.6% at 40°C ambient temperature
- Expandable array inputs  
- from 990W to 3700W DC in
- Guaranteed reliability  
- 10 year warranty
- Broad operating range  
- 208: 180V to 390V  
- 240: 200V to 390V
- Low stand-by power  
- less than 3 watts
- Easy to read vacuum fluorescent display with data logging capabilities  
- standard feature
- Optional AC/DC Disconnect can be integrated into the system with no separate housing necessary
- Aggressive MPPT algorithms
- UL 50, all aluminum enclosure (NEMA 3R)
- Aesthetically pleasing design blends well with any exterior
- Meets UL 1741, IEEE 519, IEEE 929, NEC 690 standards

## PVP2800 TYPICAL EFFICIENCY AT 40°C AMBIENT

PVP2800 Efficiency @ 220VDC, 208VAC, 40°C Ambient  
Peak Efficiency @ 75% rated power = 97.6%



## PVP2800 DIMENSIONS



Distributed by

# PV Powered

Delivering Tomorrow's Solar Technology ... Today

1-541-312-3832 • WWW.PVPOWERED.COM  
160 SW Scalehouse Loop, #208, Bend OR 97702